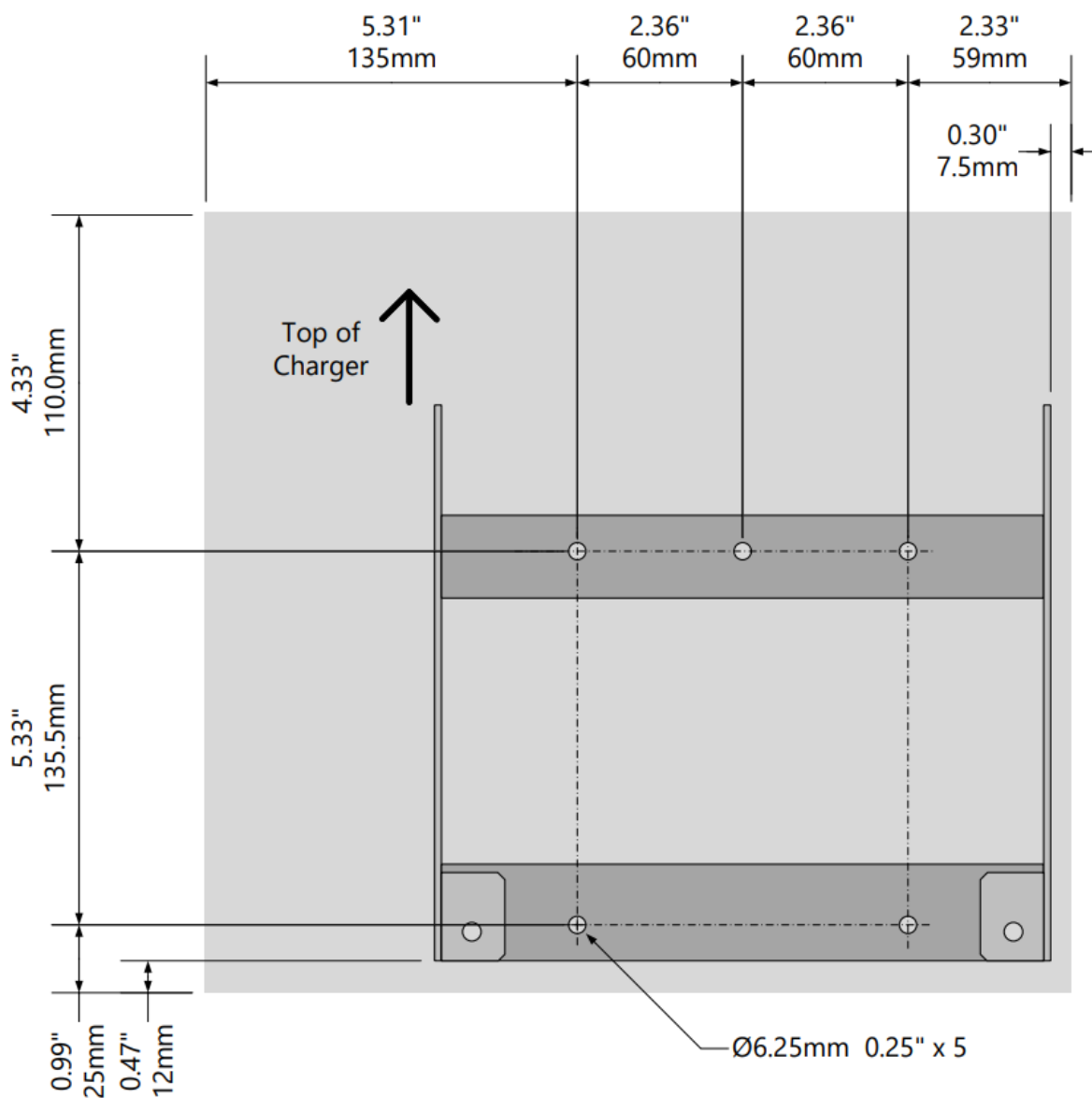
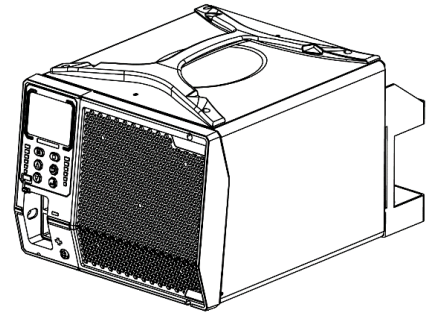
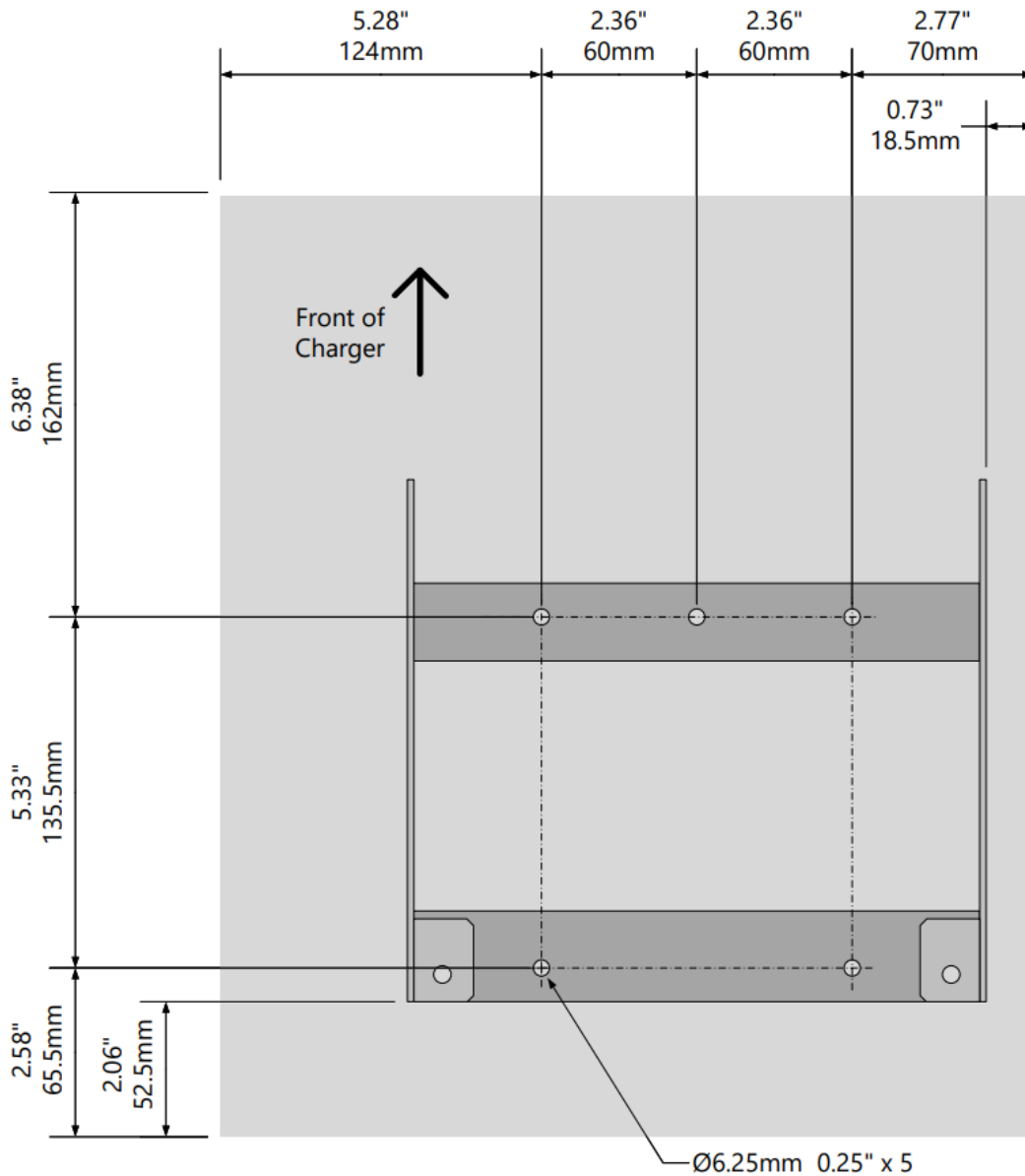
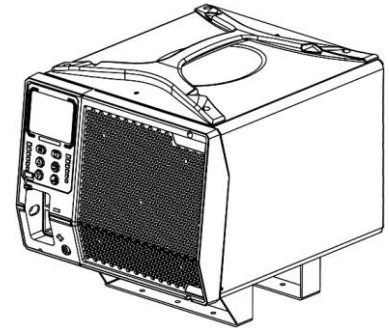


ECO970 Mounting Bracket Diagram

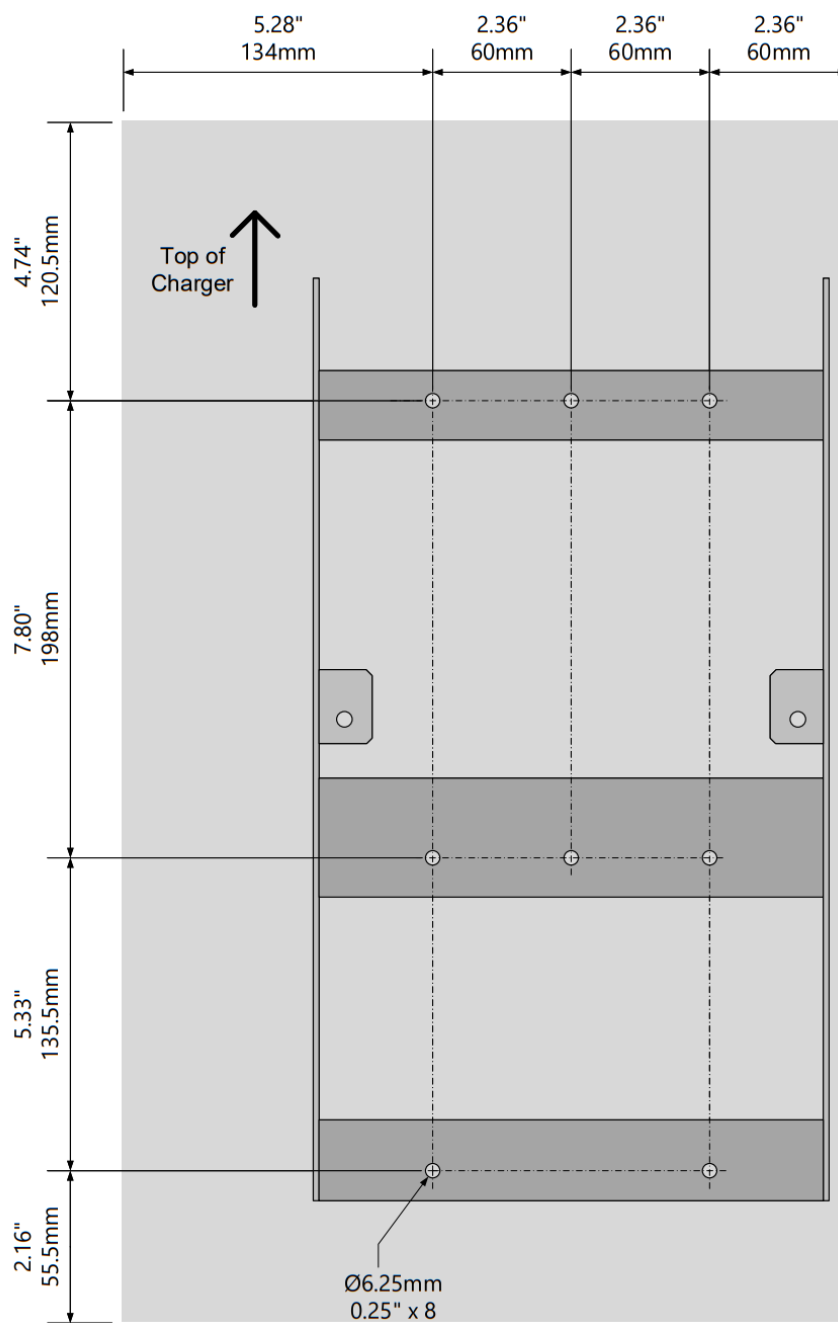
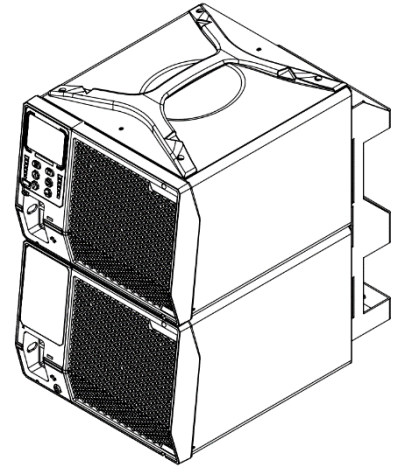
This diagram shows the locations of the fasteners required to rear mount an ECO973 charger with a mounting bracket. The grey shaded area will be occupied by the charger when it is mounted on the bracket.



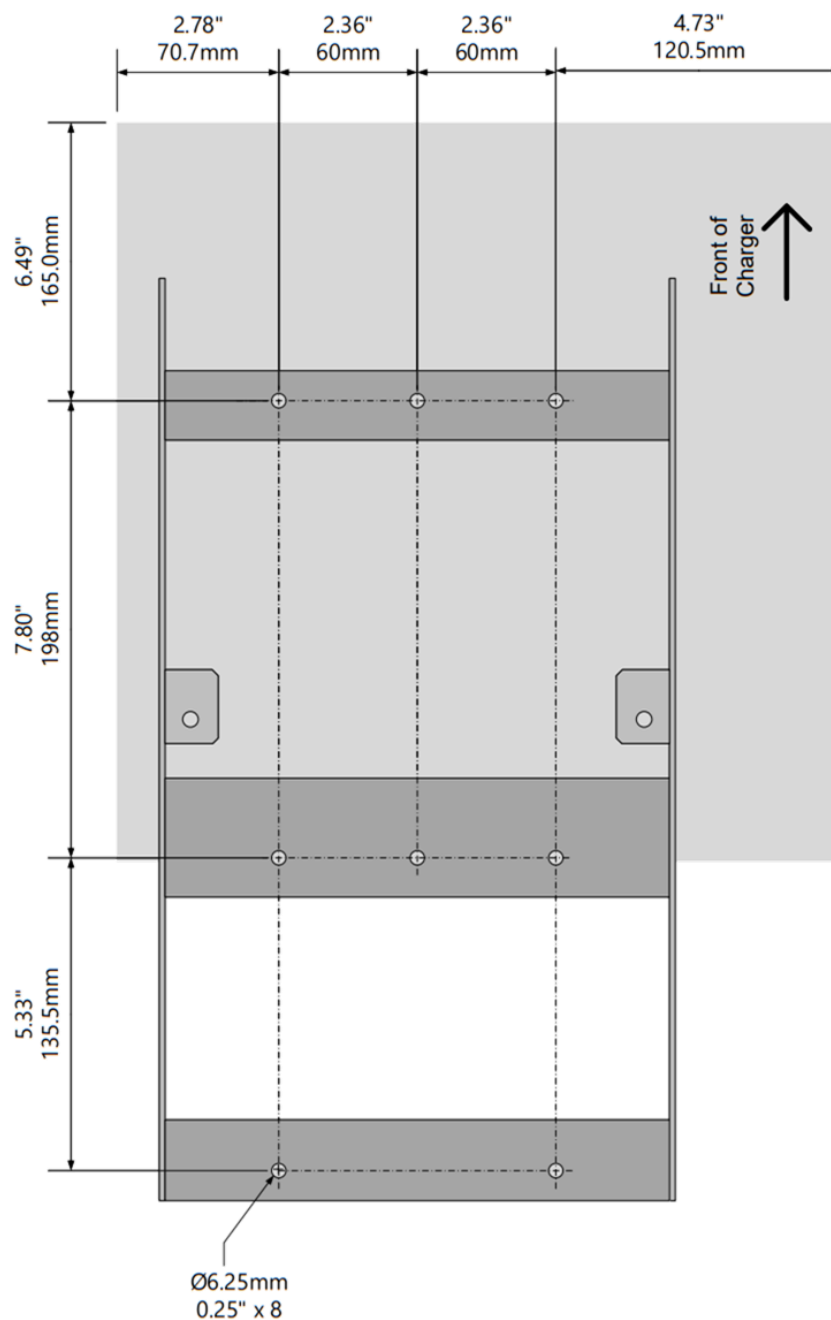
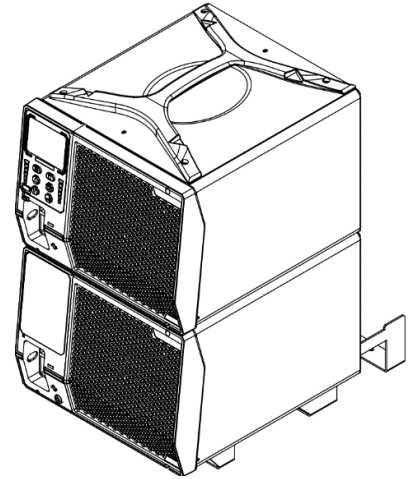
This diagram shows the locations of the fasteners required to base mount an ECO973 charger with a mounting bracket. The grey shaded area will be occupied by the charger when it is mounted on the bracket.



This diagram shows the locations of the fasteners required to rear mount an ECO974 and ECO976 charger with a mounting bracket. The grey shaded area will be occupied by the charger when it is mounted on the bracket.



This diagram shows the locations of the fasteners required to base mount an ECO974 and ECO976 charger with a mounting bracket. The grey shaded area will be occupied by the charger when it is mounted on the bracket.



This diagram shows the locations of the fasteners required to side mount an ECO971 charger with a mounting bracket. The grey shaded area will be occupied by the charger when it is mounted on the bracket. This shaded area includes the handle.

